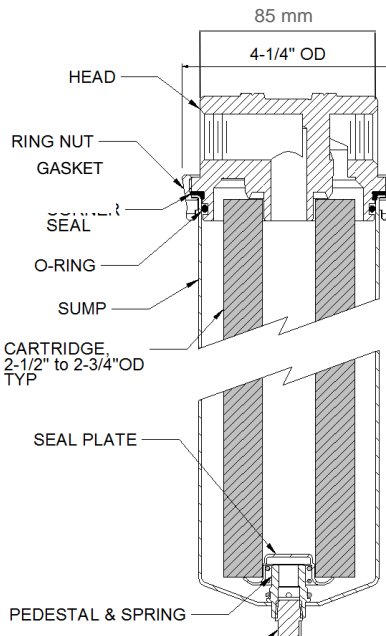


GFHD-Series Single-Cartridge Liquid Filter Vessels

The stainless steel GFHD-Series Single-Cartridge Vessels are suited for a wide variety of filtration applications. A ring-nut closure provides easy access for change-out. Equipment in accordance with PED 2014/68/UE, art4§3.

Features

- DOE design features a spring-loaded bottom seat cup which allows for easy installation and positive seal
- Ring-nut allows for easy change-out (wrench pin is included as standard, spanner wrench is optional)
- 3/4" and 1" inlet and outlet available in NPT and BSPP for ease of installation
- 1/4" NPT dirty drain port allows for complete evacuation prior to change-out
- Available in 5", 10", 20", 30" lengths to accept cartridges up to 3" OD
- Offered in DOE, 222/FLAT* or 226/FLAT* configurations
- Heavy-duty cast head with mounting bracket
- Dual closure seal (EPDM standard)
- Optional 1/4" gauge ports drilled & tapped
- Available in 304 and 316 stainless steel



Alternate Seal Materials (Sold Separately)

- Viton®*
- Buna
- Teflon® Encapsulated Viton®*

Technical Specifications

- For use of non-hazardous liquid (group 2) :
 - maximum pressure : 20 bars
 - maximum temperature : 100°C
- For use of hazardous liquid (group 1) :
 - maximum pressure : 20 bars
 - maximum temperature : must be adapted to liquid
- For use of non-hazardous gas (group 2) :
 - maximum pressure : 20 bars
 - maximum temperature : 120°C
- This filter is not suitable for the use of hazardous gas (group 1)



NSF Certification applies for use only with drinking water. Only products bearing the NSF Mark on the product, product packaging, and/or documentation shipped with the product are Certified. Product options denoted with asterisk (*) are not included in the Certification.

Ordering Information

GFHD1	Length	Inlet/Outlet Size	End Configuration	Material	Pressure Rating	NSF	-	Adders
	05 = 5"	75N = 3/4" FNPT	D = DOE	4 = 304 SS	30 = 20 bar	Blank = None		25GP = Gauge Ports
	1 = 10"	1N = 1" FNPT	2 = 222/FLAT*	6 = 316 SS		MC = NSF-61		
	2 = 20"	75B = 3/4" BSPP**	6 = 226/FLAT*					
	3 = 30"	1B = 1" BSPP**						

* Available in 316 SS only ** Available in 304 SS only

DISCLAIMER: Filtration data presented is representative of performance observed in controlled laboratory testing. It is not given as a warranty, specification or statement of fitness for use. Specific performance can vary widely depending on contaminant type, fluid properties, flow rates and environmental conditions. It is recommended that users conduct thorough qualification testing to assure the product functions as required.

DS_GFHD_210326