



F040-DMD series

In line medium pressure filters



Technical Information

Housing

Pressure: Max working (acc. to NFPA T 3.10.5.1):
F040-DMD0005/8/11: 70 bar (1015 psi)
F040-DMD0015/30/45: 40 bar (580 psi)

Burst (acc. to NFPA T 3.10.5.1):
F040-DMD0005/8/11: 210 bar (3000 psi)
F040-DMD0015/30/45: 120 bar (1740 psi)

Connection Ports: 3/4" – 1 1/4" BSP (other thread options on request)

Materials: Head: aluminium alloy
Bowl: aluminium alloy
Seal: NBR (FKM on request)

By-pass: 3,5 bar (50 psi)

Element

Filter Media: Microglass fiber 4,5 – 7 – 12 – 18 - 27 $\mu\text{m}_{(c)}$ (acc. to ISO 16889)
Cellulose 10 - 20 $\mu\text{m}_{(c)}$ (acc. to ISO 16889)

Differential collapse pressure: 30 bar (435 psi) (acc. to ISO 2941)

Filtrec elements are tested also according to ISO 2942 and ISO 23181

Common

Working temperature: -25°C +120°C (-13°F +248°F)

Fluid compatibility (acc. to ISO 2943):
Full with HH-HL-HM-HV (acc. to ISO 6743/4).
For use with other fluid applications please contact Filtrec Customer Service (info@filtrec.it).

Ordering information

MEDIA	
000	no element
E03	microglass fiber $\beta_{4,5 \mu\text{m} (c)} \geq 1000$
E05	microglass fiber $\beta_{7 \mu\text{m} (c)} \geq 1000$
E10	microglass fiber $\beta_{12 \mu\text{m} (c)} \geq 1000$
E15	microglass fiber $\beta_{18 \mu\text{m} (c)} \geq 1000$
E20	microglass fiber $\beta_{27 \mu\text{m} (c)} \geq 1000$
D10	cellulose $\beta_{10 \mu\text{m} (c)} \geq 2$
D20	cellulose $\beta_{20 \mu\text{m} (c)} \geq 2$

	NOMINAL SIZE	MEDIA	SEALS	CONNECTION	BY-PASS	INDICATOR PORT OPTION	INDICATOR
Filter assembly F040-DMD	0015	E10	V	B4	D	W	E02
Filter element DMD	0015	E10	B				

SEALS	
B	NBR
V	FKM

CONNECTION	
B4	3/4" BSP
B6	1" 1/4 BSP

NPT option available on request please check availability with Filtrac Customer Service.

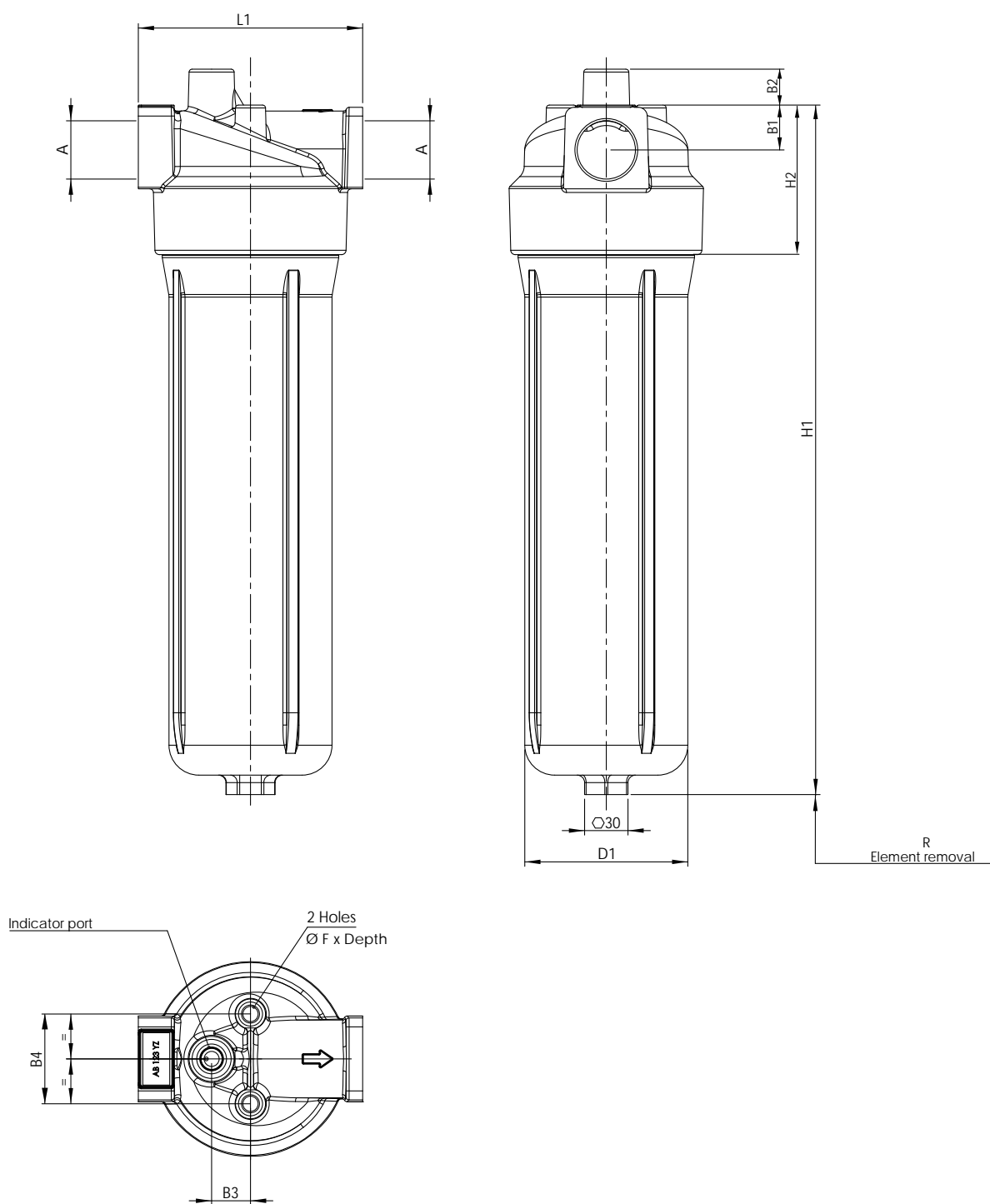
BY-PASS	
0	no by-pass
D	3,5 bar / 50 psi

INDICATOR PORT OPTION	
S	indicator port with plug
W	indicator port without plug

INDICATOR	
000	without indicator
V02	differential visual 2,7 bar/ 40 psi
E02	differential electrical 2,7 bar/ 40 psi
V05	differential visual 5 bar/ 72,5 psi
E05	differential electrical 5 bar/ 72,5 psi

TO BE USED WITH NO BY-PASS OPTION ONLY

Overall dimensions



Nominal size

CODE	A	B1	B2	B3	B4	D1	F	H1	H2	L1	R	WEIGHT	ELEMENT
F040-DMD0005	3/4" BSP	19	28	15	45	65	M8x12	160	100	95	110	1,0 Kg	DMD0005
F040-DMD0008	3/4" BSP	19	28	15	45	65	M8x12	238		95	110	1,3 Kg	DMD0008
F040-DMD0011	3/4" BSP	19	28	15	45	65	M8x12	312		95	110	1,6 Kg	DMD0011
F040-DMD0015	1" 1/4 BSP	30	24	26	60	109	M12x18	230	124	150	130	2,9 Kg	DMD0015
F040-DMD0030	1" 1/4 BSP	30	24	26	60	109	M12x18	343		150	130	3,9 Kg	DMD0030
F040-DMD0045	1" 1/4 BSP	30	24	26	60	109	M12x18	461		150	130	4,9 Kg	DMD0045

For different thread options please contact Filtrac Customer Service.

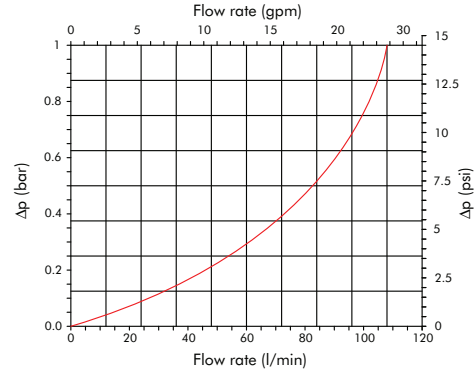
Pressure Drop diagrams

The total Pressure Drop (Δp) value is obtained by adding the Δp values of filter housing and filter element at the given flow rate. This ideally should not exceed 0,5 bar (7 psi) and should never exceed 1/3 of the set value of the by-pass valve.

PRESSURE DROP THROUGH THE FILTER HOUSING

The Pressure Drop through the filter housing is governed by the port, not the bowl length and the oil viscosity.

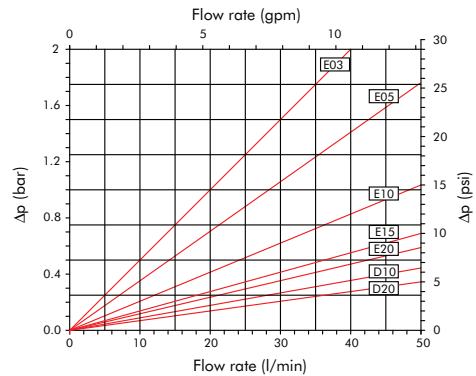
Housing F040-0005-0008-0011



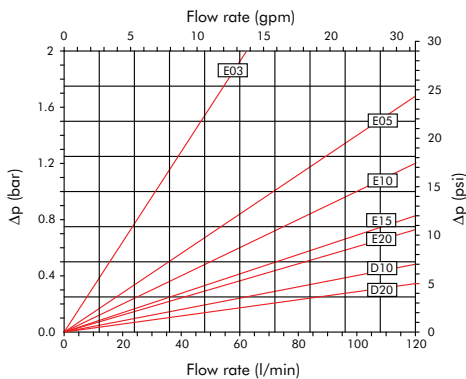
PRESSURE DROP THROUGH THE CLEAN FILTER ELEMENT

The Pressure Drop through the filter element is related both to the internal diameter of the filter element and to the filter media; this value is affected by the oil viscosity in a roughly proportional way: e.g. when the D_p value from the curve is 0,2 bar and a 46 cSt oil is used, the corresponding value is 0,31 ($=0,2 \times 46/30$) bar.

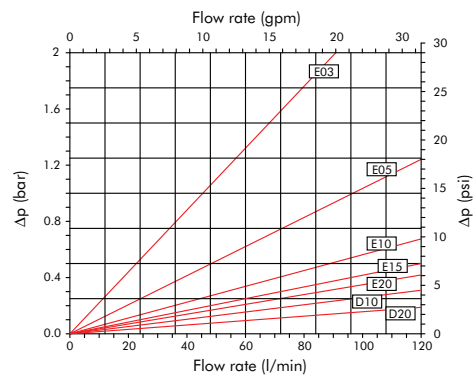
DMD-0005-...-B



DMD-0008-...-B



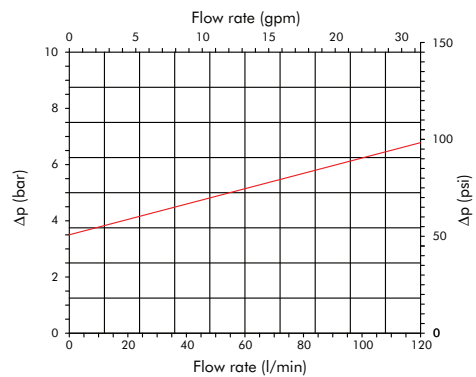
DMD-0011-...-B



PRESSURE DROP THROUGH THE BY-PASS VALVE

The by-pass valve is a safety device to prevent element collapse in case of differential pressure peaks due to flow peaks, cold start conditions or when the clogged element is not replaced in a timely manner.

By-pass F040-0005-0008-0011



The above diagrams have been obtained at the FILTREC laboratory, according to the ISO 3968 specification, with mineral oil having 30 cSt viscosity and 0,86 Kg/dm³ density. In case of discrepancy, please check contamination level, viscosity and features of the oil in use and the sampling points of the differential pressure.

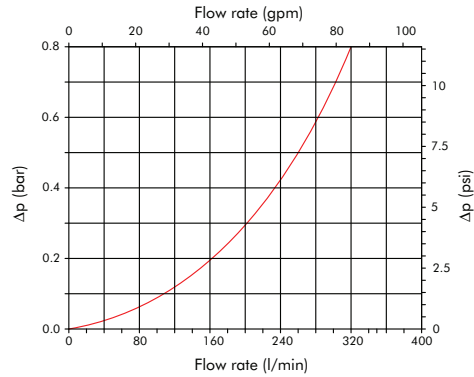
Pressure Drop diagrams

The total Pressure Drop (Δp) value is obtained by adding the Δp values of filter housing and filter element at the given flow rate. This ideally should not exceed 0,5 bar (7 psi) and should never exceed 1/3 of the set value of the by-pass valve.

PRESSURE DROP THROUGH THE FILTER HOUSING

The Pressure Drop through the filter housing is governed by the port, not the bowl length and the oil viscosity.

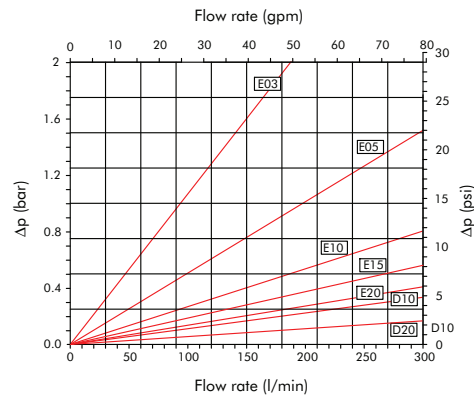
Housing F040-0015-0030-0045



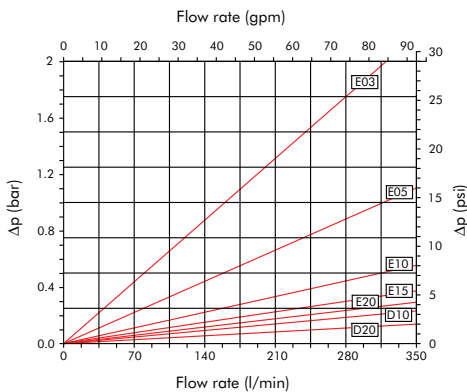
PRESSURE DROP THROUGH THE CLEAN FILTER ELEMENT

The Pressure Drop through the filter element is related both to the internal diameter of the filter element and to the filter media; this value is affected by the oil viscosity in a roughly proportional way: e.g. when the D_p value from the curve is 0,2 bar and a 46 cSt oil is used, the corresponding value is 0,31 (=0,2 x 46/30) bar.

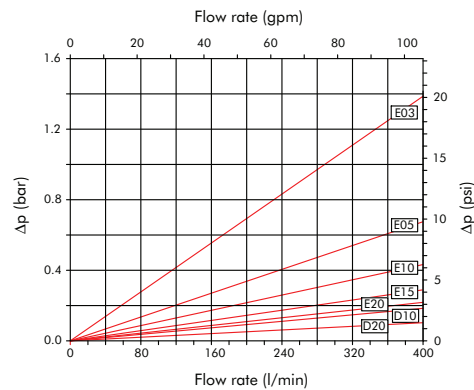
DMD-0015-...-B



DMD-0030-...-B



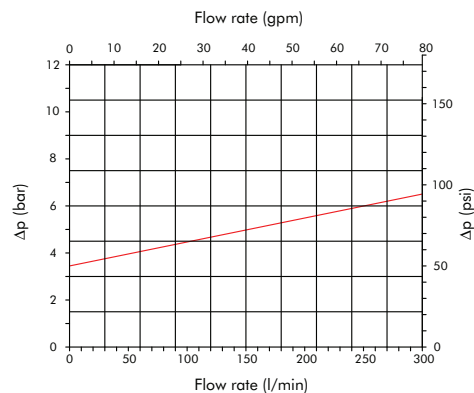
DMD-0045-...-B



PRESSURE DROP THROUGH THE BY-PASS VALVE

The by-pass valve is a safety device to prevent element collapse in case of differential pressure peaks due to flow peaks, cold start conditions or when the clogged element is not replaced in a timely manner.

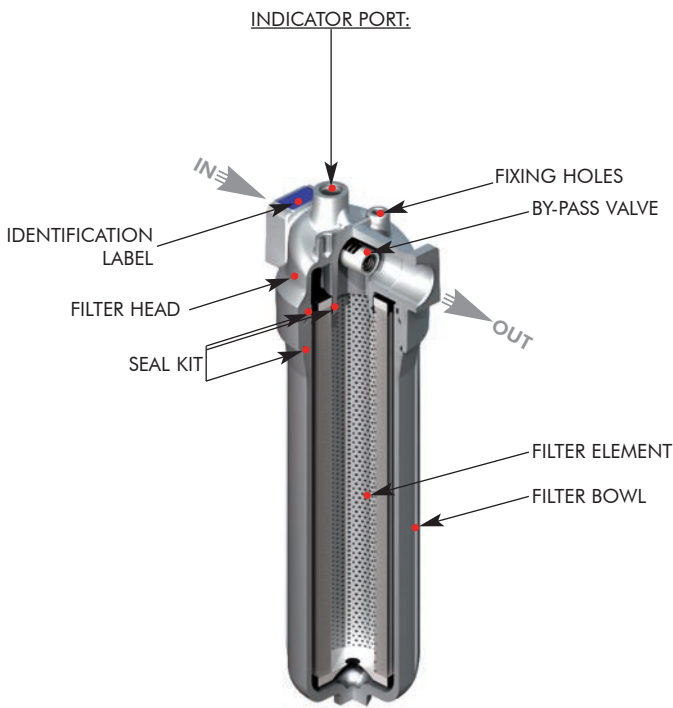
By-pass F040-0015-0030-0045



The above diagrams have been obtained at the FILTREC laboratory, according to the ISO 3968 specification, with mineral oil having 30 cSt viscosity and 0,86 Kg/dm³ density.

In case of discrepancy, please check contamination level, viscosity and features of the oil in use and the sampling points of the differential pressure.

User Tips



SPARE SEAL KIT PART NUMBER		
	NBR	FKM
F040-DMD0005/8/11	06.021.00127	06.021.00128
F040-DMD0015/30/45	06.021.00129	06.021.00130

BOWL TIGHTENING TORQUE	
F040-DMD0005/8/11	40 Nm
F040-DMD0015/30/45	60 Nm

INDICATOR TIGHTENING TORQUE	
V02-E02-V05-E05	50 Nm

Installation

Make sure that the filter is connected in the correct IN-OUT flow direction (shown by an arrow on the filter head).

The filter housing should be preferably mounted with the bowl downward; the filter head should be properly secured using the threaded fixing holes on the filter after mounting. verify that no tension is present on the filter after mounting.

Make sure that enough space is available for element replacement and that the clogging indicator is in a easily viewable position. If an electrical indicator is used, make sure that it is properly wired.

Never run the system without a filter element fitted. We recommend the stocking of a spare FILTREC filter element for timely replacement when required.

Operation

Make sure that the filter works within the conditions of pressure, temperature and fluid compatibility given in the first page of this data sheet.

The filter element must be replaced as soon as the clogging indicator signals at working temperature (in cold start conditions, oil temperature lower than 30°C, a false alarm can be given due to oil viscosity).

If no clogging indicator is mounted, make sure that the filter element is replaced according to the system manufacturer's recommendations.

WARNING

Make sure that Personal Protective Equipment (PPE) is worn during installation and maintenance operation.

Disposal of filter elements

The used filter elements and the filter parts dirty of oil are classified as "Dangerous waste material": they must be disposed according to the local laws by authorized Companies.

Maintenance

Before opening the filter housing, ensure that the system is switched off and there is no residual pressure in the filter.

Unscrew the bowl by turning it anticlockwise.

Remove the dirty filter element pulling it carefully; replace it with a FILTREC element, verifying the part number, particularly concerning the micron rating. When fitting the new element, open the plastic protection on the top and insert the element over the spigot in the filter head, then remove completely the plastic protection.

Clean carefully the bowl; check the gaskets conditions and replace if necessary; lubricate the threads and screw by hand the bowl in the filter head by turning it clockwise. Tighten at the recommended torque.

N.B. The used filter elements cannot be cleaned and re-used.

PED Compliance

F040-DMD filters conform to PED 97/23/CE norm, article 3 section 3, and so they can be used with fluids of group 2 (liquids with steam pressure < 0,5 bar at the maximum allowable temperature, article 3, section 1.1(b) – sub-section II).



F040-DMD series

www.filtrec.com

